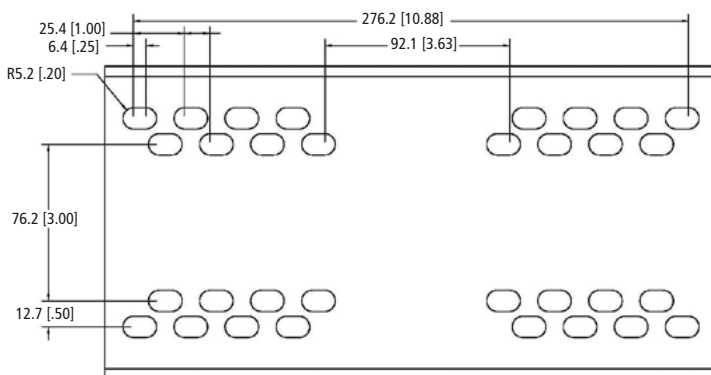
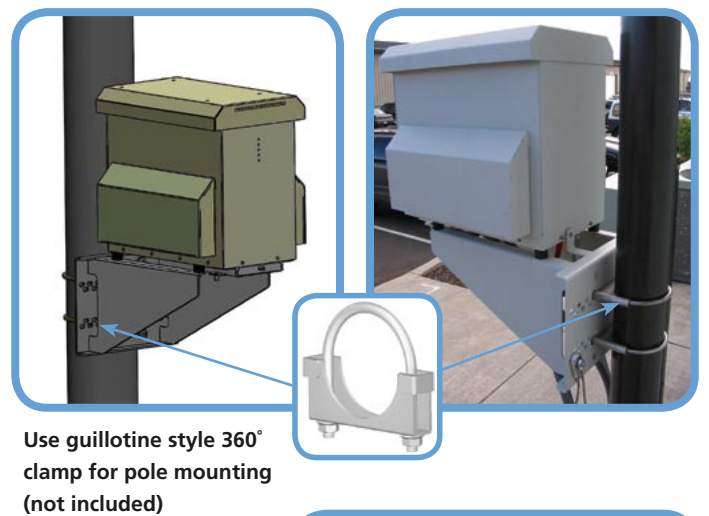
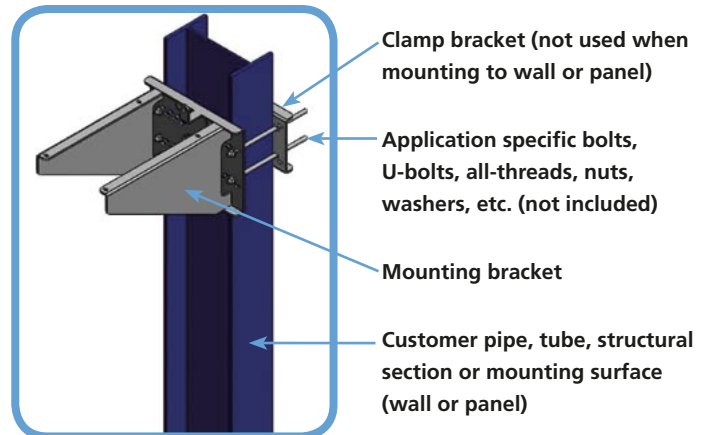


Application Note

iGen™ Mounting System

Introduction

The iGen™ Mounting System facilitates a quick and permanent installation of the iGen™ system to round poles, structural sections such as rectangular and I-beams, or flat surfaces such as a wall or panel. The Mounting System consists of two parts: a mounting bracket and a clamp plate. The iGen™ system installs directly to the mounting bracket through pre-punched holes of the proper spacing and hole diameter. The clamp plate is utilized for clamping the mounting bracket to poles or structural sections; it is not utilized when installing the mounting bracket directly to a wall or side of an enclosure. The Mounting System is manufactured from heavy gauge steel with powder coat finish and includes specific features for the iGen™ system including a tab at the back of the mounting bracket for securing the iGen™ system with a padlock or other security device. The Mounting System will support the iGen™ system under heavy vertical and wind loading and helps to protect plumbing and conduit underneath the iGen™ system. The mounting bracket and clamp plate include slots to accommodate a variety of mounting conditions and bolt dimensions (refer to hole spacing below). Hardware (threaded rods, U-bolts, etc.) are specific to the particular installation and are not included. For mounting to round pipes, the use of 360° clamping U-bolts (guillotine style clamp) is recommended (not included). Threaded rod is recommended when mounting to rectangular sections or channel and I-beams. Example installations and bracket dimensions are shown for reference. For more information please visit www.idatech.com.



Hole pattern (typical) in mounting bracket and clamp bracket

